

NOTES: UNLESS OTHERWISE SPECIFIED

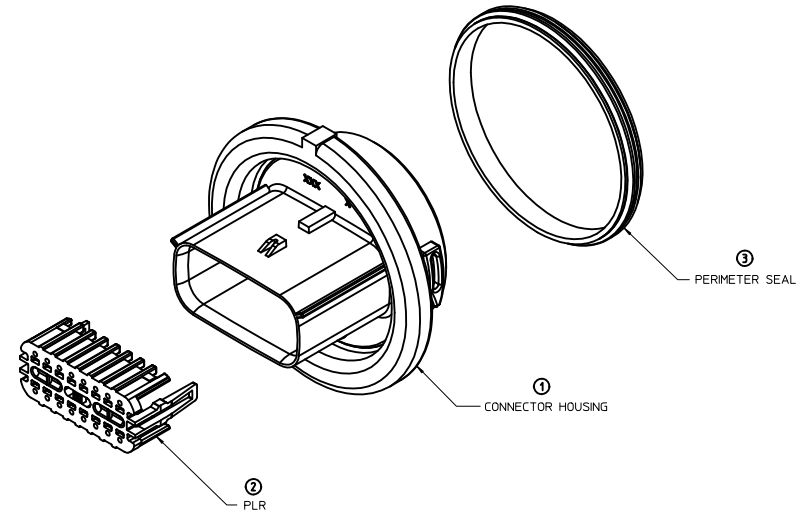
1. GENERAL: SHALL CONFORM TO THE FOLLOWING

- a. SHALL CONFORM TO MOLEX PRODUCT SPECIFICATION: TBD
- b. PACKAGING SPECIFICATION: TBD
- c. APPLICATION SPECIFICATION: TBD
- d. FOR MATING CONNECTOR ASSEMBLIES SEE MOLEX PRODUCT SPECIFICATION: TBD
- e. FOR APPROPRIATE TERMINALS AND WIRE SIZES TO BE USED WITH THIS ASSEMBLY SEE MOLEX PRODUCT SPECIFICATION: TBD
- f. FOR CAVITY PLUGS TO BE USED WITH THIS ASSEMBLY SEE MOLEX DRAWING: SD-34345-001
- g. FOR TERMINAL SERVICING TOOL SEE MOLEX DOCUMENT: ATS-638131500
- h. ASSEMBLY SHIPPED WITH THE PLR IN PRE-LOCK POSITION UPON FULL TERMINAL ASSEMBLY EACH PLR MUST BE SNAPPED INTO FINAL-LOCK POSITION. IN THE EVENT THE PLR IS FOUND IN THE FINAL-LOCK (SEATED) POSITION REFER TO MOLEX SPECIFICATION PS-34646-001 AVAILABLE AT WWW.MOLEX.COM

2. DESIGN MATERIAL:

- A. HOUSING: SPS/NYLON BLEND, 20% GLASS FILLED, 20 % MAX REGRIND
COLOR: SEE TABLE
- B. PLR: SPS/NYLON BLEND, 20% GLASS FILLED, 20 % MAX REGRIND
COLOR: SEE TABLE
- D. PERIMETER SEAL: TBD

TABLE OF CONTENTS	
SHEET NO.	SHEET DESCRIPTION
1	NOTES AND BOM
2	CONFIGURATIONS
3	BULKHEAD CONNECTOR
4	BULKHEAD CONNECTOR INTERFACE
5	BULKHEAD CONNECTOR INTERFACE
6	BULKHEAD CONNECTOR INTERFACE



ASSEMBLY MATERIAL NO	DESCRIPTION	STATUS
34840-000	12 CIRCUIT KEY OPTION A	CONCEPT
34840-000	12 CIRCUIT KEY OPTION B	CONCEPT
34840-000	12 CIRCUIT KEY OPTION C	CONCEPT
34840-000	12 CIRCUIT KEY OPTION D	CONCEPT
34840-000	16 CIRCUIT KEY OPTION A	CONCEPT
34840-000	16 CIRCUIT KEY OPTION B	CONCEPT
34840-000	16 CIRCUIT KEY OPTION C	CONCEPT
34840-000	16 CIRCUIT KEY OPTION D	CONCEPT
34840-000	16 CIRCUIT KEY OPTION A	CONCEPT
34840-000	16 CIRCUIT KEY OPTION B	CONCEPT
34840-000	16 CIRCUIT KEY OPTION C	CONCEPT
34840-000	16 CIRCUIT KEY OPTION D	CONCEPT

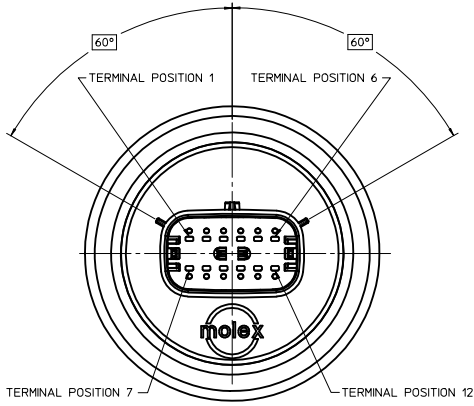
ITEM NO	DESCRIPTION	COLOR	REQUIRED QTY.
1	12 CIRCUIT BULKHEAD TWIST-LOCK CONNECTOR HOUSING KEY A	BLACK	1
1	12 CIRCUIT BULKHEAD TWIST-LOCK CONNECTOR HOUSING KEY B	LT. GRAY	1
1	12 CIRCUIT BULKHEAD TWIST-LOCK CONNECTOR HOUSING KEY C	DK. GRAY	1
1	12 CIRCUIT BULKHEAD TWIST-LOCK CONNECTOR HOUSING KEY D	STONE GRAY	1
2	12 CIRCUIT BULKHEAD CONNECTOR PLR	NATURAL	1
1	16 CIRCUIT BULKHEAD TWIST-LOCK CONNECTOR HOUSING KEY A	BLACK	1
1	16 CIRCUIT BULKHEAD TWIST-LOCK CONNECTOR HOUSING KEY B	LT. GRAY	1
1	16 CIRCUIT BULKHEAD TWIST-LOCK CONNECTOR HOUSING KEY C	DK. GRAY	1
1	16 CIRCUIT BULKHEAD TWIST-LOCK CONNECTOR HOUSING KEY D	STONE GRAY	1
2	16 CIRCUIT BULKHEAD CONNECTOR PLR	NATURAL	1
3	BULKHEAD TWIST-LOCK CONNECTOR PERIMETER SEAL	TBD	1

INSPECTION BALLOON NUMBER LOG	
2	DESIGN RELEASE
1	QUOTE ONLY
REV	DESCRIPTION

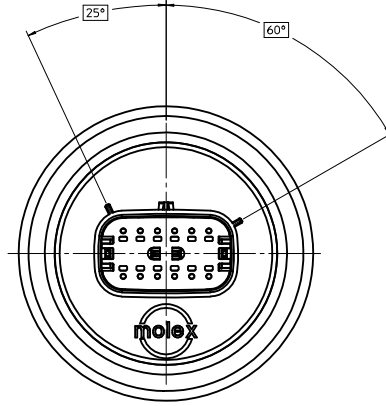
PER DRAWING REVISION: A	LAST BALLOON NUMBER USED: -	ADDED BALLOON NUMBERS: NONE	REMOVED BALLOON NUMBERS: NONE
-------------------------	-----------------------------	-----------------------------	-------------------------------

ENTER DESCRIPTION EC NO. UAU2011-0280 DRAWN BY: MYANSLAMBROU CHKD: 2010/10/05 APPR: VKOSHY	QUALITY SYMBOLS ▽=0 ▽=0 ▽=0	GENERAL TOLERANCES (UNLESS SPECIFIED) mm INCH 4 PLACES ± --- ± --- 3 PLACES ± --- ± --- 2 PLACES ± 0.10 ± --- 1 PLACE ± 0.20 ± --- ANGULAR ± 3 °	DIMENSION STYLE MM ONLY	SCALE 2:1	DESIGN UNITS METRIC	THIRD ANGLE PROJECTION
DRAFT WHERE APPLICABLE MUST REMAIN WITHIN DIMENSIONS		MATERIAL NO. SEE TABLE		DOCUMENT NO. SD-34840-001		SHEET NO. 1 OF 6
THIS DRAWING CONTAINS INFORMATION THAT IS PROPRIETARY TO MOLEX INCORPORATED AND SHOULD NOT BE USED WITHOUT WRITTEN PERMISSION						

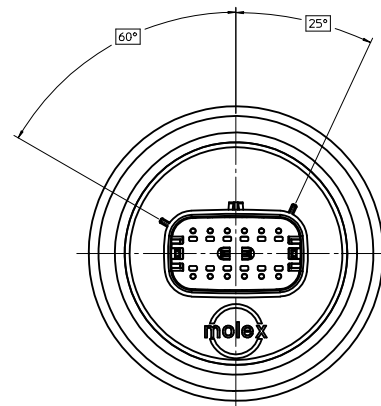
12 CIRCUIT CONFIGURATIONS



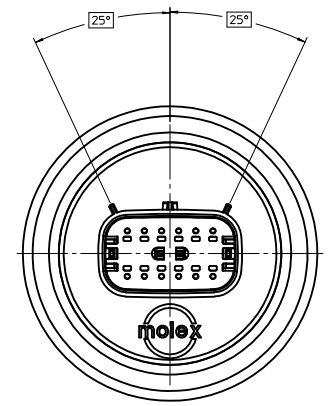
KEY OPTION A



KEY OPTION B

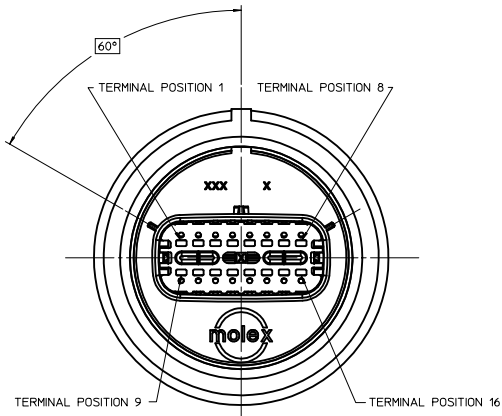


KEY OPTION C

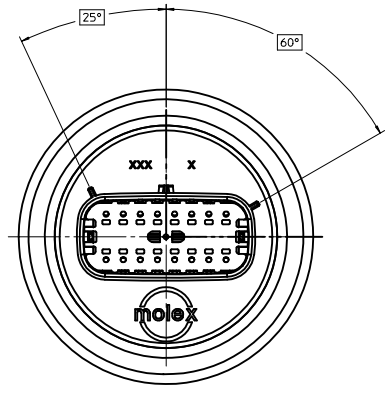


KEY OPTION D

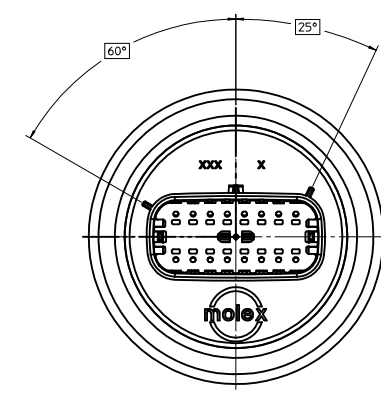
16 CIRCUIT CONFIGURATIONS



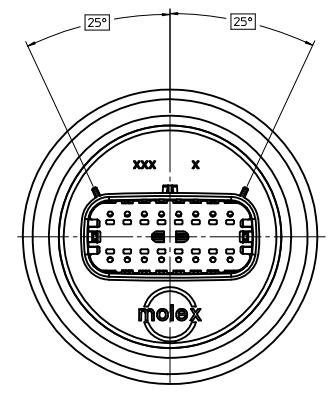
KEY OPTION A



KEY OPTION B

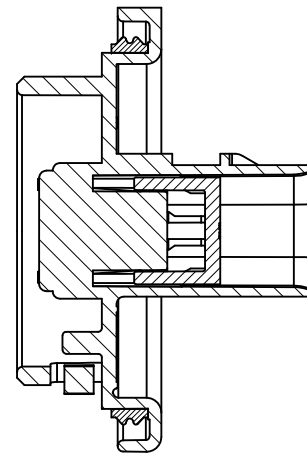
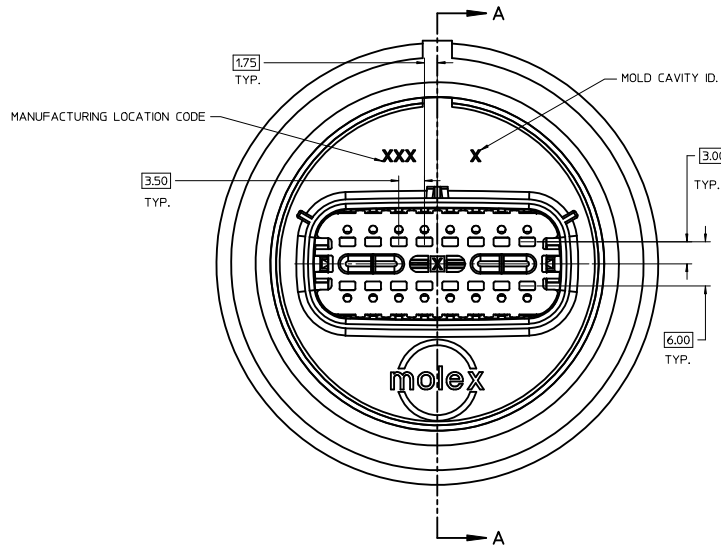
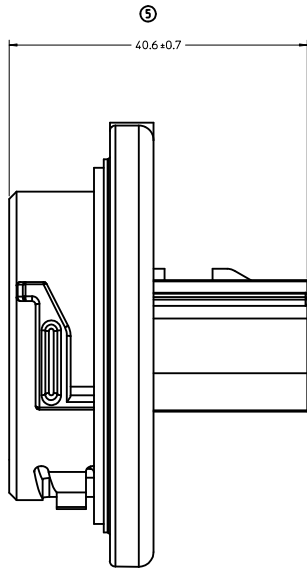


KEY OPTION C

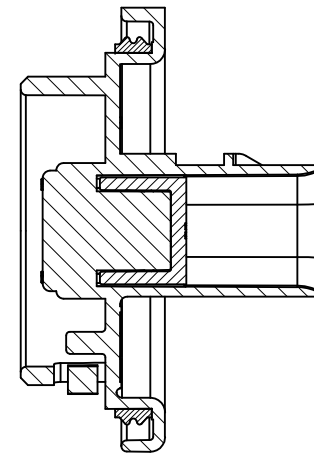


KEY OPTION D

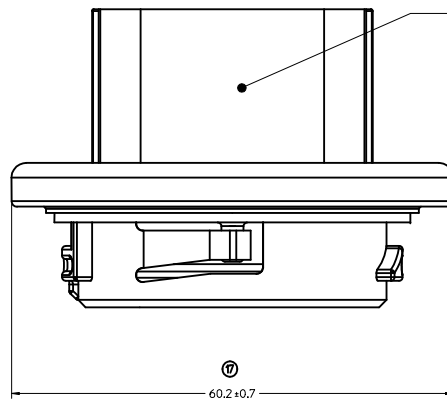
ENTER DESCRIPTION IEC NO. UAU2011-0280 DRAWN BY MYANSLAMBROU 2010/10/05 CHYD. 2010/10/05 APPR. VKOSHY 2010/10/05	QUALITY SYMBOLS ▽=0 ▽=0 ▽=0	GENERAL TOLERANCES (UNLESS SPECIFIED)		DIMENSION STYLE MM ONLY	SCALE 2:1	DESIGN UNITS METRIC	THIRD ANGLE PROJECTION		
		4 PLACES ± 0.10 3 PLACES ± 0.15 2 PLACES ± 0.20 1 PLACE ± 0.25	mm INCH	DRAWN BY DATE MYANSLAMBROU 2010/10/05	CHECKED BY DATE V. KOSHY 2010/10/05	TITLE MX150 DUAL ROW BULKHEAD TWIST-LOCK CONNECTOR ASSEMBLY			
		ANGULAR ± 3°		APPROVED BY DATE VKOSHY 2010/10/05	MATERIAL NO. SEE TABLE		DOCUMENT NO. SD-34840-001		
		DRAFT WHERE APPLICABLE MUST REMAIN WITHIN DIMENSIONS		SIZE D		SHEET NO. 2 OF 6			



SECTION A-A
PLR SHOWN IN PRE-LOCK POSITION
SEE NOTE 1h



SECTION A-A
PLR SHOWN IN FINAL-LOCK POSITION
SEE NOTE 1h



ENTER DESCRIPTION IEC NO: UAU2011-0280 2 DRAWN BY: MYANSLAMBROU 2010/10/05 CHKD: 2010/10/05 APPR: VKOSHY 2010/10/05 REV DESCRIPTION	QUALITY SYMBOLS	GENERAL TOLERANCES (UNLESS SPECIFIED)	DIMENSION STYLE	SCALE	DESIGN UNITS	THIRD ANGLE PROJECTION
	▽=0	mm INCH	MM ONLY	3:1	METRIC	☉
	▽=0	4 PLACES ± --- ± ---	DRAWN BY DATE			
	▽=0	3 PLACES ± --- ± ---	MYANSLAMBROU 2010/10/04	CHECKED BY DATE		
		2 PLACES ± 0.10 ± ---	V. KOSHY 2010/10/04			
		1 PLACE ± 0.20 ± ---	APPROVED BY DATE			
		ANGULAR ± 3 °	VKOSHY 2010/10/05			
		DRAFT WHERE APPLICABLE MUST REMAIN WITHIN DIMENSIONS	MATERIAL NO.	SEE TABLE	DOCUMENT NO.	
			SIZE D	THIS DRAWING CONTAINS INFORMATION THAT IS PROPRIETARY TO MOLEX INCORPORATED AND SHOULD NOT BE USED WITHOUT WRITTEN PERMISSION		

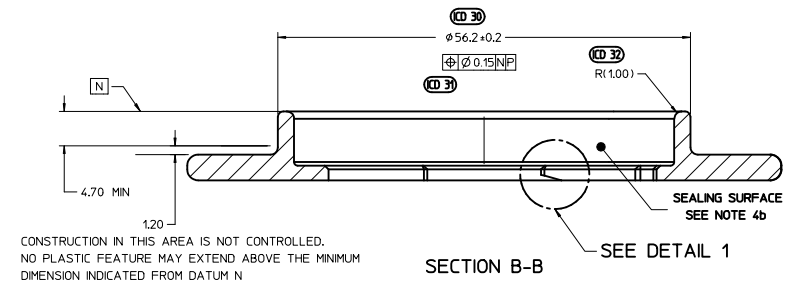
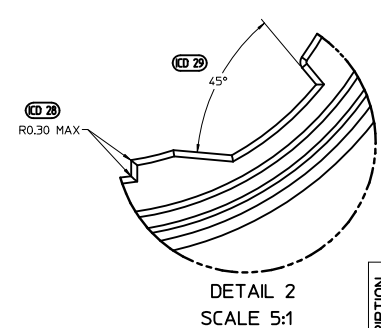
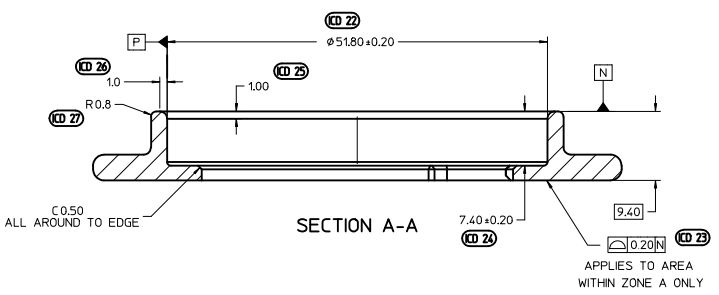
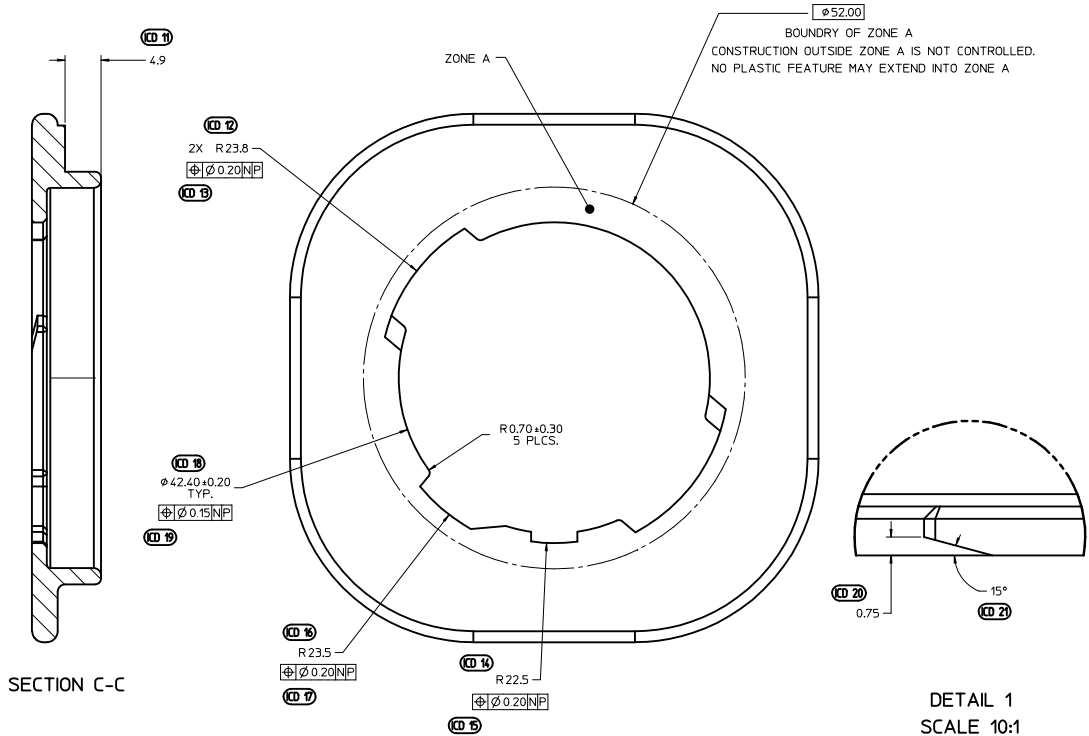
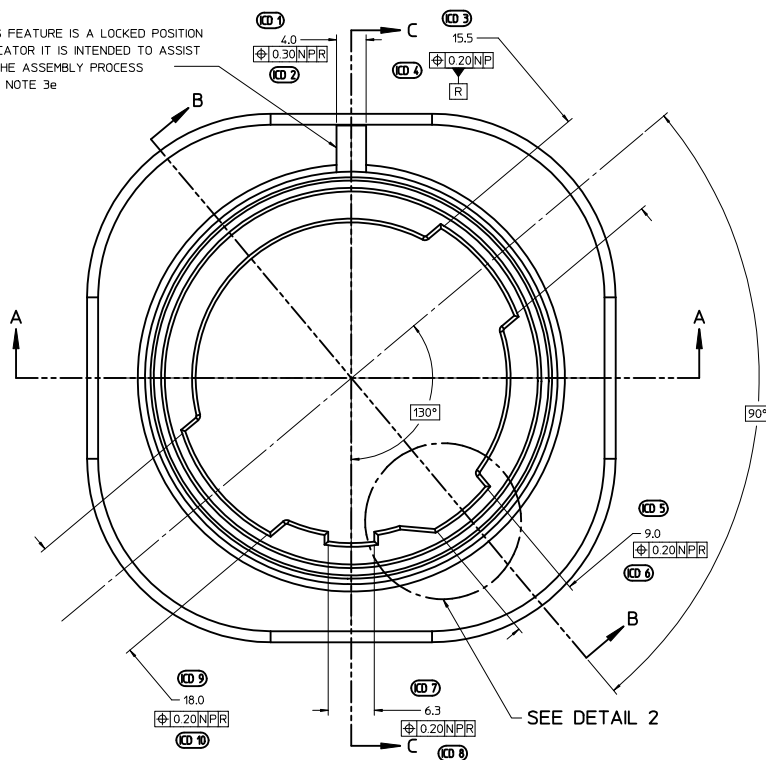
TITLE
MX150 DUAL ROW BULKHEAD TWIST-LOCK CONNECTOR ASSEMBLY

MOLEX INCORPORATED

SHEET NO. 3 OF 6

SD-34840-001

THIS FEATURE IS A LOCKED POSITION INDICATOR IT IS INTENDED TO ASSIST IN THE ASSEMBLY PROCESS SEE NOTE 3e

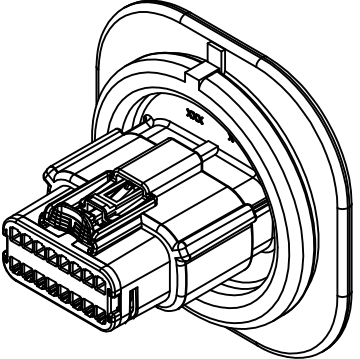


TO BE RELEASED AS IS FOR TOOL BUILD

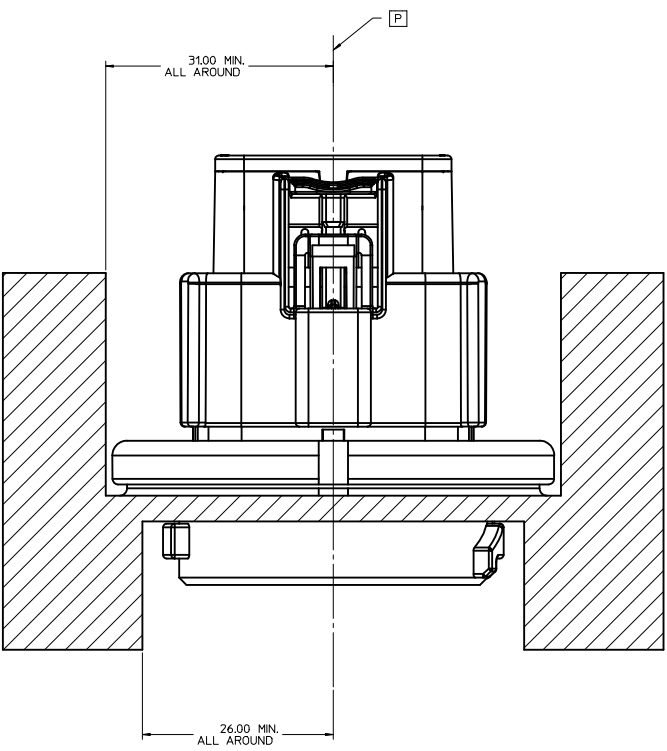
ENTER DESCRIPTION IEC NO. UAU2011-0280 DRAWN BY: MYVANS LAMBROU 2010/10/07 CHKD: 2010/10/05 APPR: VKOSHY 2010/10/05	QUALITY SYMBOLS ∇=0 ∇=0 ∇=0	GENERAL TOLERANCES (UNLESS SPECIFIED) <table border="1"> <tr> <th></th> <th>mm</th> <th>INCH</th> </tr> <tr> <td>4 PLACES</td> <td>± 0.10</td> <td>± 0.004</td> </tr> <tr> <td>3 PLACES</td> <td>± 0.15</td> <td>± 0.005</td> </tr> <tr> <td>2 PLACES</td> <td>± 0.20</td> <td>± 0.008</td> </tr> <tr> <td>1 PLACE</td> <td>± 0.25</td> <td>± 0.010</td> </tr> </table> ANGULAR ± 3°		mm	INCH	4 PLACES	± 0.10	± 0.004	3 PLACES	± 0.15	± 0.005	2 PLACES	± 0.20	± 0.008	1 PLACE	± 0.25	± 0.010	DIMENSION STYLE MM ONLY	SCALE 3:1	DESIGN UNITS METRIC	THIRD ANGLE PROJECTION
		mm	INCH																		
	4 PLACES	± 0.10	± 0.004																		
	3 PLACES	± 0.15	± 0.005																		
2 PLACES	± 0.20	± 0.008																			
1 PLACE	± 0.25	± 0.010																			
DATE 2010/10/05	DATE 2010/10/05	DATE 2010/10/05	DATE 2010/10/05	DATE 2010/10/05	DATE 2010/10/05	DATE 2010/10/05															
DRAFT WHERE APPLICABLE MUST REMAIN WITHIN DIMENSIONS	MATERIAL NO. N/A	DOCUMENT NO. SD-34840-001	MOLEX INCORPORATED	MOLEX INCORPORATED	MOLEX INCORPORATED	MOLEX INCORPORATED															
SIZE D	THIS DRAWING CONTAINS INFORMATION THAT IS PROPRIETARY TO MOLEX INCORPORATED AND SHOULD NOT BE USED WITHOUT WRITTEN PERMISSION	SHEET NO. 5 OF 6	MOLEX INCORPORATED	MOLEX INCORPORATED	MOLEX INCORPORATED	MOLEX INCORPORATED															

CONNECTOR ACCESS REQUIREMENTS

THE DIMENSIONS BELOW REPRESENT THE CLEARANCE REQUIRED
FOR THE HARNESS AND BULKHEAD CONNECTORS



SCALE 2:1



TO BE RELEASED AS IS
FOR TOOL BUILD

ENTER DESCRIPTION IEC NO. UAU2011-0280 DRAWN BY MYANSLAMBROU 2010/10/01 CHYK: 2010/10/05 APPR: VKOSHY 2010/10/05	QUALITY SYMBOLS ∇=0 ∇=0 ∇=0	GENERAL TOLERANCES (UNLESS SPECIFIED)		DIMENSION STYLE MM ONLY	SCALE 3:1	DESIGN UNITS METRIC	THIRD ANGLE PROJECTION															
		<table border="1" style="width: 100%; border-collapse: collapse;"> <thead> <tr> <th></th> <th>mm</th> <th>INCH</th> </tr> </thead> <tbody> <tr> <td>4 PLACES</td> <td>±---</td> <td>±---</td> </tr> <tr> <td>3 PLACES</td> <td>±---</td> <td>±---</td> </tr> <tr> <td>2 PLACES</td> <td>±0.10</td> <td>±---</td> </tr> <tr> <td>1 PLACE</td> <td>±0.20</td> <td>±---</td> </tr> </tbody> </table>		mm	INCH	4 PLACES	±---	±---	3 PLACES	±---	±---	2 PLACES	±0.10	±---	1 PLACE	±0.20	±---	DRAWN BY DATE MYANSLAMBROU 2010/10/01		TITLE MX150 DUAL ROW BULKHEAD TWIST-LOCK CONNECTOR ASSEMBLY		
			mm	INCH																		
		4 PLACES	±---	±---																		
3 PLACES	±---	±---																				
2 PLACES	±0.10	±---																				
1 PLACE	±0.20	±---																				
DRAFT WHERE APPLICABLE MUST REMAIN WITHIN DIMENSIONS		APPROVED BY DATE VKOSHY 2010/10/05		MATERIAL NO. N/A																		
				MOLEX INCORPORATED		DOCUMENT NO. SD-34840-001																