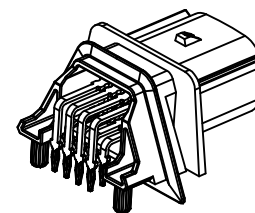


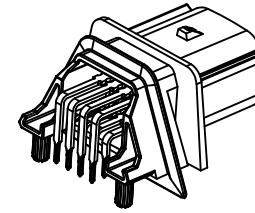
NOTES UNLESS OTHERWISE SPECIFIED

1. GENERAL:
 - a. PARTS MUST BE IN COMPLIANCE TO MOLEX CHEMICAL SUBSTANCES FOR PRODUCTS AND PACKAGING SPECIFICATION: ES-40000-5015
 - b. DATA MUST BE SUBMITTED UNDER THE MOLEX PART NUMBER TO IMDS (COMPANY ID#13255)
 - c. 15 PCB PRESS-FIT (COMPLIANT PIN) PER SD-31503-012 REV A
 - d. PCB INTENDED TO BE FR4 0.062" (1.6mm) THICK
2. DESIGN - MATERIALS:
 - a. HOUSING: PBT 30%GF.
 - b. TERMINAL:
 - SOLDER VERSION: COPPER ALLOY.
 - COMPLIANT VERSION: COPPER ALLOY.
3. DESIGN - GEOMETRY:
 - a. THIS IS A 100% CAD GENERATED PART. THE CAD MATHEMATICAL DATA IS THE MASTER FOR THIS PART. FOR DIMENSIONAL OR ANY INFORMATION NOT SHOWN ON THIS DRAWING, ANALYZE THE CAD MODEL.
 - b. PRODUCT DESIGN MODEL NUMBER(S): SEE BOM TABLE
 - c. GEOMETRIC DIMENSIONS AND TOLERANCES PER ASME Y14.5M - 1994
 - d. EDGES AND UNDIMENSIONED DETAILS PER ISO13715
 - e. CORNERS SHOWN AS SHARP TO BE R 0.2 MAX.
 - f. LETTERING SHALL BE 0.15 MAX RAISED. THIS INCLUDES RECYCLING CODE, CAVITY ID, MANUFACTURING LOCATION, AND MOLEX MATERIAL NUMBER.
4. TRUE POSITIONS OF THE EONS AND SOLDERTAIL TO BE VERIFIED WITH A FUNCTIONAL GO/NO GO GAUGE.
5. ALL DIMENSIONS APPLY TO THE PART AS SHIPPED FROM MOLEX. FINAL POSITIONING IS ACHIEVED WITH PCB APPLICATION TOOLING. REFERENCE AS-34829-001.
6. LASER MARKING TO BE MARKED WITH:
 - HUMAN READABLE CODE (HRC)
 - PERMANENTLY APPLIED ON THE PART WITH 15mm LETTER SIZE
 - INFORMATION TO BE PRINTED
 - 9 DIGIT MOLEX MATERIAL NUMBER
 - 5 DIGIT JULIAN MANUFACTURING DATE STAMP DDDYY
7. TRUE POSITION OF THE MATE SIDE CONNECTOR TO BE VERIFIED WITH A GO/NO-GO FUNCTIONAL GAGE
8. ALL DIMENSION WITH OUT BALLOONS ARE NOT MEASURED. SURROGATE DATA FROM THE COMPONENT PRINT WILL BE USED TO MEET DIMENSIONAL REQUIREMENTS.
9. EON (COMPLIANT PIN) DESIGN REQUIRES AN ASSEMBLY FIXTURE FOR INSTALLATION.

TABLE OF CONTENTS	
SHEET NO.	SHEET DESCRIPTION
1	NOTES
2	CONFIGURATIONS
3	HEADER TO CASTING INTERFACE
4	PCB INTERFACE EON/SOLDERTIP
5	CASTING INTERFACE
6	PCB INTERFACE

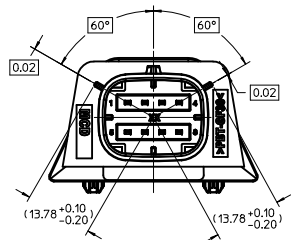


EON SHOWN

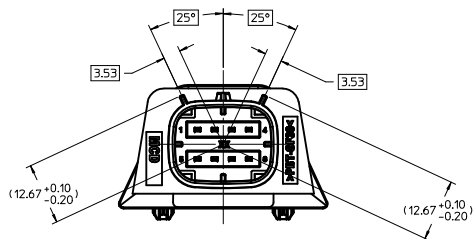
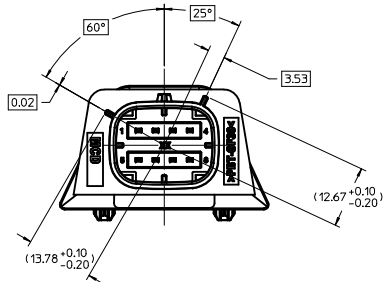
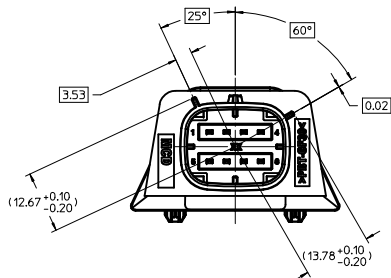


SOLDERTAIL SHOWN

INSPECTION BALLOON NUMBER LOG			
PER DRAWING REVISION: A			
LAST BALLOON NUMBER USED: 12		A1	DRAWING UPDATE
ADDED BALLOON NUMBERS: NONE		A	DRAWING RELEASE
REMOVED BALLOON NUMBERS: NONE		REV	DESCRIPTION
ENTER DESCRIPTION IEC NO: GCA2012-0001 DRAWN: LSONG05 CHKD: PBERG APPR: PBERG DATE: 2011/08/12 SIZE: A1	QUALITY SYMBOLS	GENERAL TOLERANCES (UNLESS SPECIFIED)	DIMENSION STYLE
	▽=0	4 PLACES ±--- ±---	MM ONLY
	▽=0	3 PLACES ±--- ±---	SCALE 2:1
	▽=0	2 PLACES ±0.13 ±---	DESIGN UNITS METRIC
		1 PLACE ±0.25 ±---	THIRD ANGLE PROJECTION
		ANGULAR ± 3 °	
DRAFT WHERE APPLICABLE MUST REMAIN WITHIN DIMENSIONS		DRAWN BY: LSONG05 DATE: 2010/12/27 CHECKED BY: JLOHMAN DATE: 2010/12/27 APPROVED BY: PBERG DATE: 2011/03/01 MATERIAL NO. MOLEX INCORPORATED DOCUMENT NO. SD-34829-081 SEE SHEET 2 THIS DRAWING CONTAINS INFORMATION THAT IS PROPRIETARY TO MOLEX INCORPORATED AND SHOULD NOT BE USED WITHOUT WRITTEN PERMISSION	
		SHEET NO. 1 OF 6	



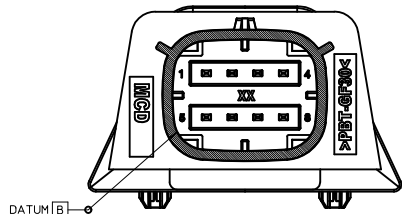
FOR KEY OPTION A



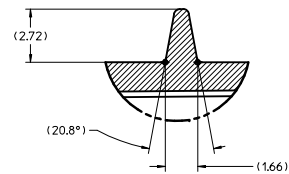
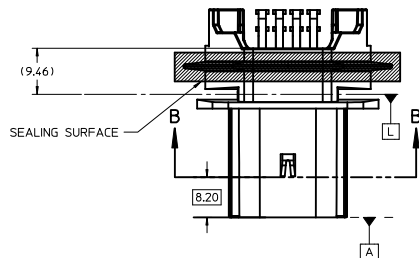
CONFIGURATIONS / KEY OPTIONS

MATERIAL No.	DESCRIPTION	KEY CODING	COLOR	150 BLADE PLATING	STATUS
348290801	2X4 WAY EON	A	BLACK	Sn	DESIGN CONCEPT
348290802	2X4 WAY EON	B	LT GRAY	Sn	DESIGN CONCEPT
348290803	2X4 WAY EON	C	DK GRAY	Sn	DESIGN CONCEPT
348290804	2X4 WAY EON	D	BLACK	Sn	DESIGN CONCEPT
348300801	2X4 WAY SOLDER TAIL	A	BLACK	Sn	DESIGN RELEASE
348300802	2X4 WAY SOLDER TAIL	B	LT GRAY	Sn	DESIGN CONCEPT
348300803	2X4 WAY SOLDER TAIL	C	DK GRAY	Sn	DESIGN CONCEPT
348300804	2X4 WAY SOLDER TAIL	D	BLACK	Sn	DESIGN CONCEPT

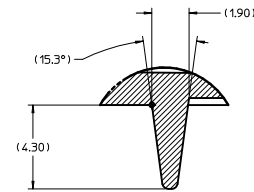
ENTER DESCRIPTION IEC NO: GCA2012-0001 DRAWN: SONG05 2011/08/05 CHKD: APPR: PBERG 2011/08/12 REV:	QUALITY SYMBOLS	GENERAL TOLERANCES (UNLESS SPECIFIED)	DIMENSION STYLE	SCALE	DESIGN UNITS	THIRD ANGLE PROJECTION	
	▽=0	4 PLACES ± --- INCH	MM ONLY	4:1	METRIC		
	▽=0	3 PLACES ± ---					
	▽=0	2 PLACES ± 0.13					
		1 PLACE ± 0.25					
		ANGULAR ± 3°					
	DRAFT WHERE APPLICABLE MUST REMAIN WITHIN DIMENSIONS		DRAWN BY	DATE	TITLE		
			LSONG05	2010/12/27	MX150 2X4 HEADER		
			CHECKED BY	DATE			
			JLOHMAN	2010/12/27			
			APPROVED BY	DATE			
			PBERG	2011/03/04			
			MATERIAL NO.	DOCUMENT NO.	MOLEX INCORPORATED		
			SEE SHEET 2	SD-34829-081	SHEET NO. 2 OF 6		
			THIS DRAWING CONTAINS INFORMATION THAT IS PROPRIETARY TO MOLEX INCORPORATED AND SHOULD NOT BE USED WITHOUT WRITTEN PERMISSION				



SECTION B-B
SCALE 3:1

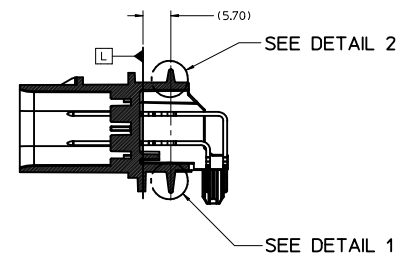
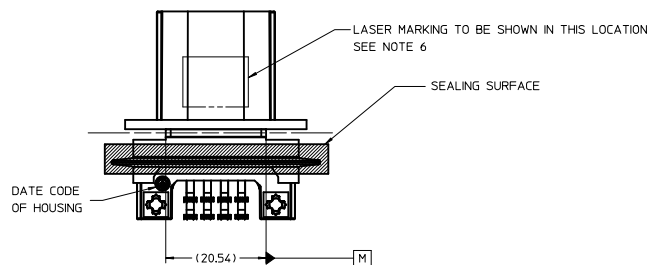
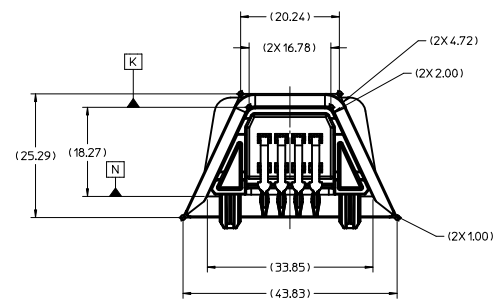
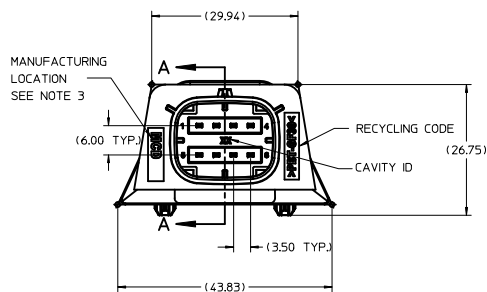
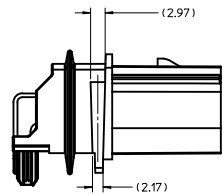


DETAIL 2
SCALE 8:1



DETAIL 1
SCALE 8:1

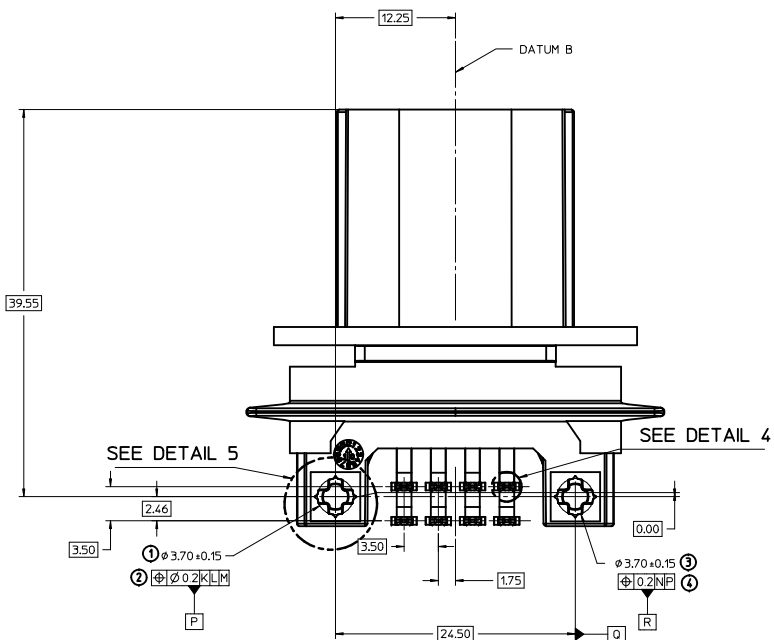
HEADER TO CASTING INTERFACE



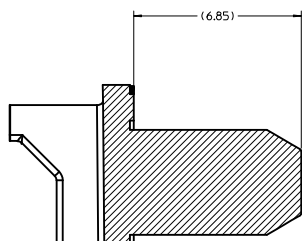
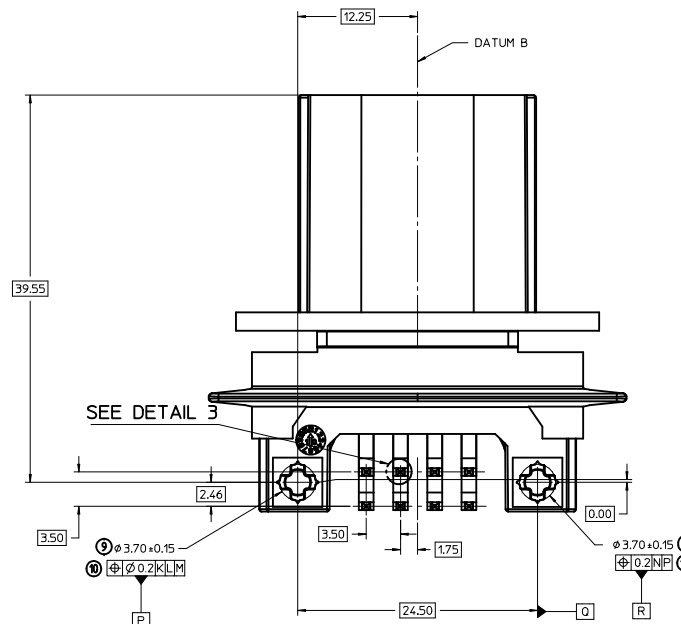
SECTION A-A

ENTER DESCRIPTION IEC NO: GCA2012-0001 DRAWN: SONG05 CHKD: APPR: PBERG DATE: 2011/08/12 SIZE: A1	QUALITY SYMBOLS	GENERAL TOLERANCES (UNLESS SPECIFIED)	DIMENSION STYLE	SCALE	DESIGN UNITS	THIRD ANGLE PROJECTION
	$\nabla=0$ $\nabla=0$ $\nabla=0$	4 PLACES ± mm ± INCH 3 PLACES ± 0.13 ± 0.005 2 PLACES ± 0.25 ± 0.010 1 PLACE ± 0.50 ± 0.020 ANGULAR ± 3°	MM ONLY	2:1	METRIC	
	DRAWN BY: SONG05 CHECKED BY: JLOHMAN APPROVED BY: PBERG DATE: 2010/12/27 DATE: 2010/12/27 DATE: 2011/03/01	TITLE: MX150 2X4 HEADER		MOLEX INCORPORATED		
	DRAFT WHERE APPLICABLE MUST REMAIN WITHIN DIMENSIONS		MATERIAL NO. SEE SHEET 2		DOCUMENT NO. SD-34829-081	

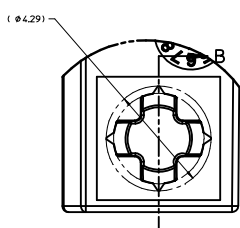
2x4 HEADER ASSEMBLY EON DESIGN



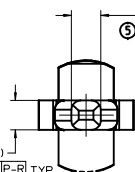
2x4 HEADER ASSEMBLY SOLDER-TAIL DESIGN



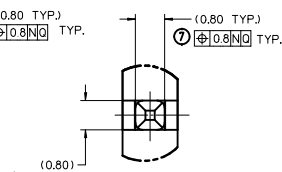
Partial1
SCALE 10:1



DETAIL 5
SCALE 10:1



DETAIL 4
SCALE 15:1

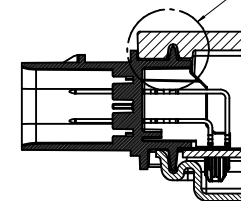
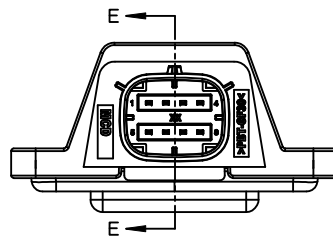
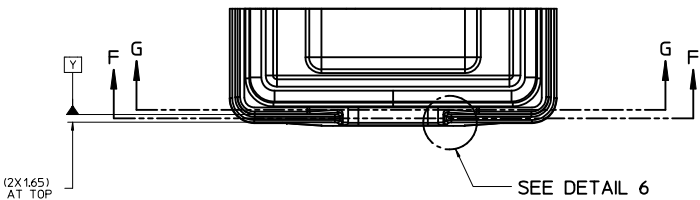


DETAIL 3
SCALE 15:1

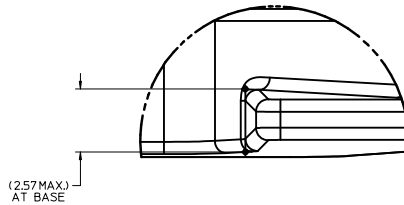
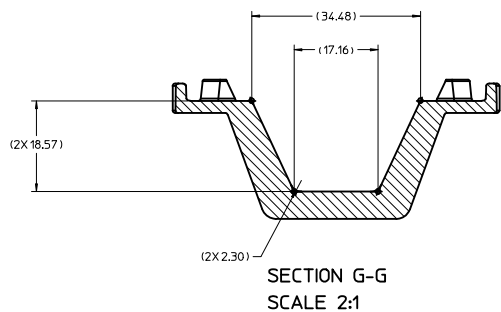
ENTER DESCRIPTION IEC NO: GCA2012-0001 DRAWN: LSONG05 CHKD: CHYD APPR: PBERG 2011/08/12 2011/08/12	QUALITY SYMBOLS	GENERAL TOLERANCES (UNLESS SPECIFIED)	DIMENSION STYLE	SCALE	DESIGN UNITS	THIRD ANGLE PROJECTION	
	∇=0 ∇=0 ∇=0	mm INCH 4 PLACES ± --- ± --- 3 PLACES ± --- ± --- 2 PLACES ± 0.13 ± --- 1 PLACE ± 0.25 ± --- ANGULAR ± 3 °	MM ONLY DATE 2010/12/27 DATE 2010/12/27 DATE 2011/03/01	4:1	METRIC	THIRD ANGLE PROJECTION	
	MATERIAL NO. SEE SHEET 2	DRAWN BY LSONG05	CHECKED BY JLOHMAN	APPROVED BY PBERG	TITLE MX150 2X4 HEADER	MOLEX INCORPORATED	SHEET NO. 4 OF 6
	DRAFT WHERE APPLICABLE MUST REMAIN WITHIN DIMENSIONS	SIZE D	THIS DRAWING CONTAINS INFORMATION THAT IS PROPRIETARY TO MOLEX INCORPORATED AND SHOULD NOT BE USED WITHOUT WRITTEN PERMISSION	DOCUMENT NO. SD-34829-081			

CASTING INTERFACE
FOR REFERENCE ONLY

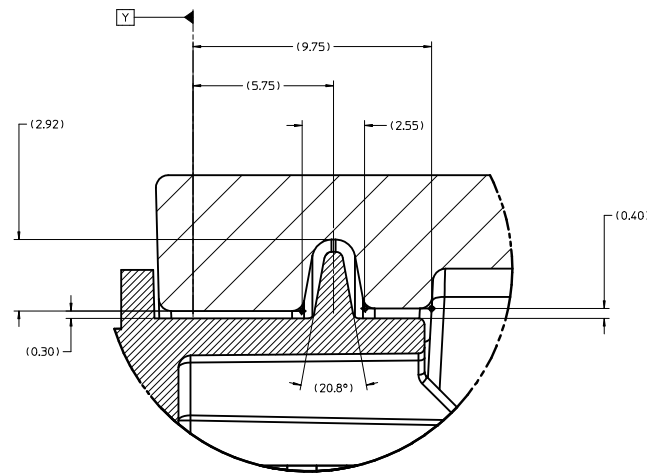
SEE DETAIL 7



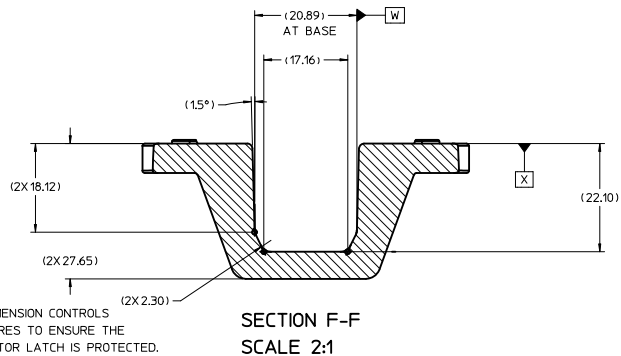
SECTION E-E
SCALE 2:1



DETAIL 6
SCALE 10:1



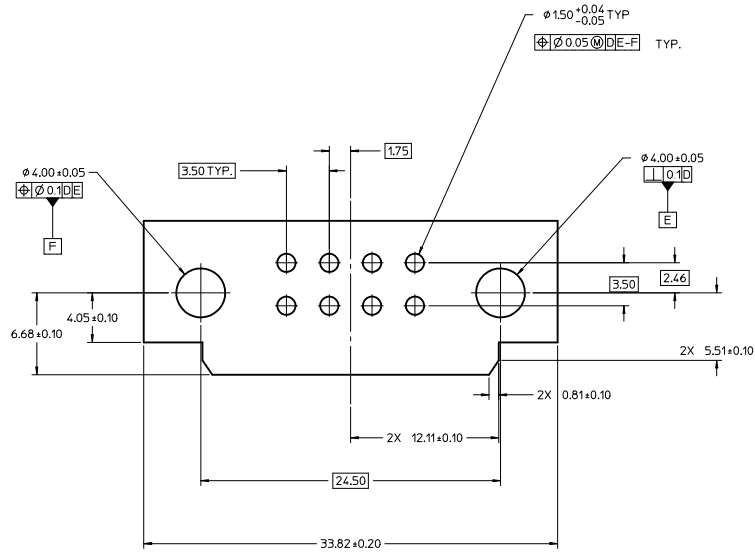
TYPICAL CONSTRUCTION
DETAIL 7
SCALE 10:1



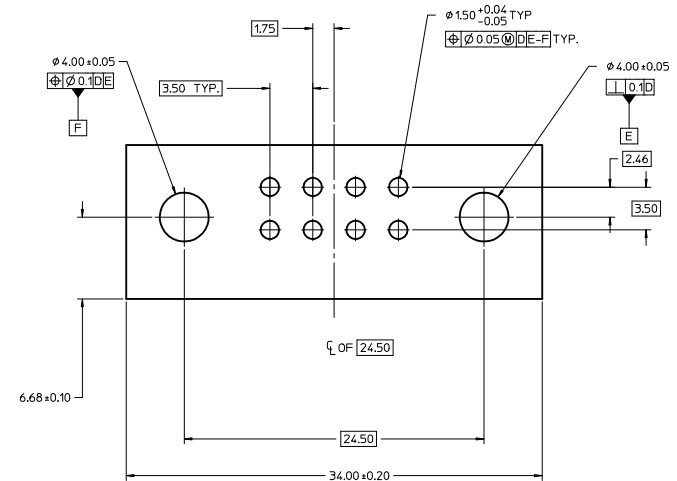
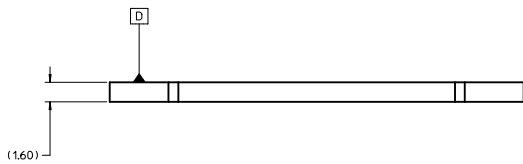
THIS DIMENSION CONTROLS
FEATURES TO ENSURE THE
CONNECTOR LATCH IS PROTECTED.

ENTER DESCRIPTION IEC NO: GCA2012-0001 DRAWN: LSONG05 CHKD: CHYD APPR: PBERG DATE: 2011/08/12	QUALITY SYMBOLS	GENERAL TOLERANCES (UNLESS SPECIFIED)	DIMENSION STYLE	SCALE	DESIGN UNITS	THIRD ANGLE PROJECTION
	▽=0	4 PLACES ± ---	mm	2:1	METRIC	☉
	▽=0	3 PLACES ± ---	INCH			
	▽=0	2 PLACES ± 0.13				
		1 PLACE ± 0.25				
		ANGULAR ± 3 °				
	DRAFT WHERE APPLICABLE MUST REMAIN WITHIN DIMENSIONS		MATERIAL NO.		DOCUMENT NO.	SHEET NO.
			SEE SHEET 2		SD-34829-081	5 OF 6
			MOLEX INCORPORATED THIS DRAWING CONTAINS INFORMATION THAT IS PROPRIETARY TO MOLEX INCORPORATED AND SHOULD NOT BE USED WITHOUT WRITTEN PERMISSION			

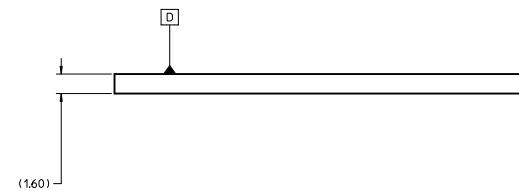
PCB INTERFACE
FOR REFERENCE ONLY



PCB LAYOUT FOR EON
TOWARD HARNESS CONNECTOR



PCB LAYOUT FOR SOLDERTAIL
TOWARD HARNESS CONNECTOR



ENTER DESCRIPTION IEC NO: GCA2012-0001 DRAWN: LSONG05 CHKD: CHYK APPR: PBERG DATE: 2011/08/12 DESCRIPTION:	QUALITY SYMBOLS	GENERAL TOLERANCES (UNLESS SPECIFIED)	DIMENSION STYLE	SCALE	DESIGN UNITS	THIRD ANGLE PROJECTION
	▽=0	mm INCH	MM ONLY	5:1	METRIC	☉
	▽=0	4 PLACES ± --- ± ---	DRAWN BY DATE	TITLE		
	▽=0	3 PLACES ± --- ± ---	LSONG05 2010/12/27	MX150 2X4 HEADER		
	2 PLACES ± 0.13 ± ---	CHECKED BY DATE	APPROVED BY DATE			
	1 PLACE ± 0.25 ± ---	JLOHMAN 2010/12/27	PBERG 2011/03/01			
	ANGULAR ± 3°	MATERIAL NO. DATE				
		SEE SHEET 2				
	DRAFT WHERE APPLICABLE MUST REMAIN WITHIN DIMENSIONS	DOCUMENT NO. SHEET NO.				
		SD-34829-081 6 OF 6				
		THIS DRAWING CONTAINS INFORMATION THAT IS PROPRIETARY TO MOLEX INCORPORATED AND SHOULD NOT BE USED WITHOUT WRITTEN PERMISSION				