

Produce consistent, high-quality crimp terminations, increase production flexibility and reduce potential quality issues, operator cycling errors and manufacturing down time with Molex's Battery-Powered Crimp Tools, designed with multiple, interchangeable modular crimp heads and crimp-die sets for low- to high-volume production runs in contract-manufacturer and harness-house applications

Molex Battery-Powered Crimp Tools crimp a wide range of Molex connector products with interchangeable modular crimp heads and crimp-die sets. The Molex modular crimp heads and crimp-die sets for the Battery-Power Crimp Tools are easily and quickly interchanged to reduce production downtime.

Molex's Battery-Powered Crimp Tools allow the customer to move from a hand tool to a battery tool and back, with no additional head and die-set cost. The crimp adapter allows different heads to be used from different Molex hand tool frames. The crimp adapter allows for the use of different Molex crimp heads.

The system is shipped in a hard carrying case, containing the Battery-Powered Crimp Tool and Adapter, two batteries and one recharge unit for the batteries.
www.molex.com/link/batterycrimptool.html

FEATURES AND BENEFITS

- Terminates a wide range of wires from 6mm² (10 AWG) and smaller that allows for customer production flexibility
- Quick and easy interchangeable modular crimp heads and die sets reduce production downtime
- Automatic retractable system returns to starting position when maximum force is reached, ensuring consistently high-quality crimps
- Head rotates 360° allowing for better access in difficult working conditions
- Battery-powered crimp cycle reduces potential operator fatigue and delivers faster termination time
- Unique brake designed to stop the forward motion of the crimping dies when the trigger is released, providing a safety-control measure to allow the operator to stop the crimp cycle if required
- Two, long-life batteries with one quick-recharge unit included allowing for continual production as extra battery can be charging

MARKETS AND APPLICATIONS

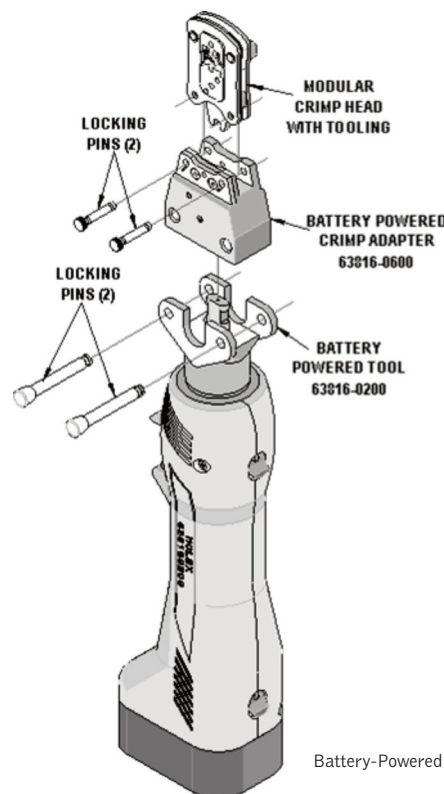
- Automotive
- Industrial
- Commercial
- Contract manufacturers
- Design / engineering facilities
- Wire terminations of 10 AWG and smaller

Battery-Powered Crimp Tools and Adapters

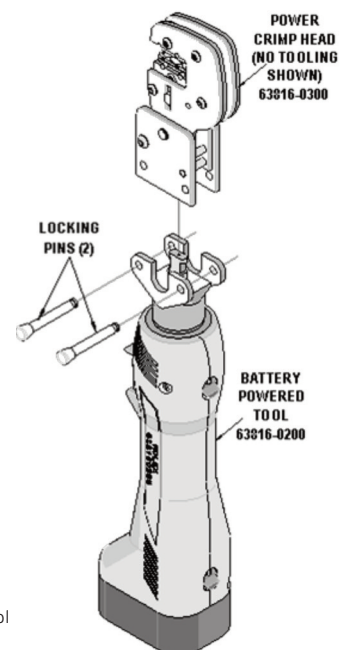
- 63816-0200 110V Crimp Tool
- 63816-0250 220V Crimp Tool
- 63816-0300 C-Style Crimp Head
- 63816-0600 Crimp Adapter



Top: Molex Battery-Powered Crimp Tool
 Bottom: Molex Crimp Adapter



Battery-Powered Crimp Tool



SPECIFICATIONS

Mechanical

Production Rate: 250 crimps per hour max.
(dependent upon operator skill, product selection and wire length)

Electrical

120V AC / 50/60Hz
240V AC / 50/60Hz

Physical (with battery)

Weight: 1.50kg (3.3 lbf)
Width: 76.20mm (3.00")
Depth: 50.80mm (2.00")
Height: 292.10mm (11.50")

Battery-Powered Crimp Tools and Adapters

63816-0200 110V Crimp Tool
63816-0250 220V Crimp Tool
63816-0300 C-Style Crimp Head
63816-0600 Crimp Adapter

ORDERING INFORMATION

Order No.	Description	Used with	Wire Product Range
63816-0200	110V Crimp Tool	Modular Crimp Heads and Die Sets	Straight
63816-0250	220V Crimp Tool	Modular Crimp Heads and Die Sets	Straight
63816-0300	C-Style Crimp Head	Power Module, Die sets from C-Frame Hand-Tool Offering	10 AWG and smaller
63816-0600	Crimp Adapter	Complete Module Heads	N/A

Order No.	Tool Type	Description	Wire Gauge
19279-0001	Hand Tool	Molex Pneumatic AT-200 for Closed Barrel Products	6mm ² (10 AWG) and smaller
63816-0100	Hand Tool	Molex Air Powered Tool	6mm ² (10 AWG) and smaller